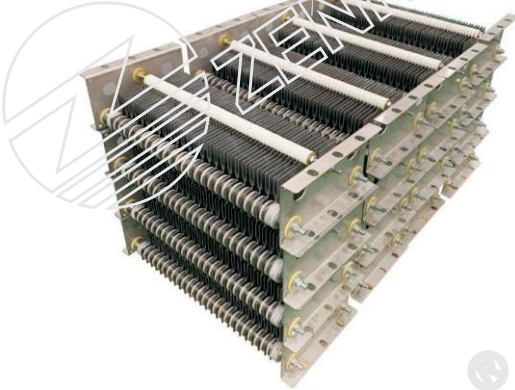


不锈钢电阻器(Stainless Steel Resistor)BXG 1KW-40KW

适用于在交流或直流下的大电流场合,尤其适用于高冲击和强振动性环境的行业等重型设备,可长期工作

Suitable for AC or DC high current occasions under ,especially for heavy equipment in industries with high impact and strong vibration environment for a long time working.



■ 结构 (Application)

1. 不锈钢电阻采用低温度系数合金片材料依据客户的要求通过裁剪，冲压成不同尺寸大小和形状，实行串并联方式组合。
The stainless steel resistor is made of low temperature coefficient alloy sheet. According to the requirements of customers, stamped into different sizes and shapes, and combined in series and parallel.
2. 电阻片与电阻片之间采用绝缘材料阻隔，或采用定型耐高温瓷垫固定。
Resistors sheets are separated by insulating material or fixed by shaped high-temperature resistant porcelain pad.
3. 引出端为不锈钢端片，可任意抽头方便客户连接。
The leading out are stainless steel terminals, which can be tapped for customer connection.

■ 产品介绍(Introduction)

适用于在交流或直流下的大电流的应用。最常见的应用领域有电机控制刹车和调速，也可以用于中性接地，谐波滤波电阻箱解决方案；坚固的设计尤其适用于高冲击和强振动性环境的行业等重型设备，例如港口/码头工控起重机、采矿设备、石油钻井、建筑塔式起重机等其它的起重、调速、动态制动或长期负载的应用领域。

该电阻是极端条件下(高振动,高温腐蚀性环境中)持续使用的理想产品。作为其基础构成材料的金属片能保证产品的持续使用和最小的阻值波动。我们能为您提供个性化设计，更好的满足您的需求，从而大大的节省空间和成本。

Suitable for AC or DC high current applications. The most common application fields are motor control, braking and speed regulation, and can also be used for neutral grounding, harmonic filtering and load banks solutions. The rugged structure is especially suitable for heavy equipment in industries with high impact and strong vibration, environment such as port / wharf industrial control crane, mining equipment, oil drilling, construction tower crane and other application fields of lifting, speed regulation, dynamic braking or long-term load. The unit is an ideal product for continuous use under extreme conditions (high vibration, high temperature and corrosive environment). The metal sheet can ensure the continuous use and the minimum resistance value fluctuation. We can provide you with personalized design to better meet your needs, so as to greatly save space and cost.

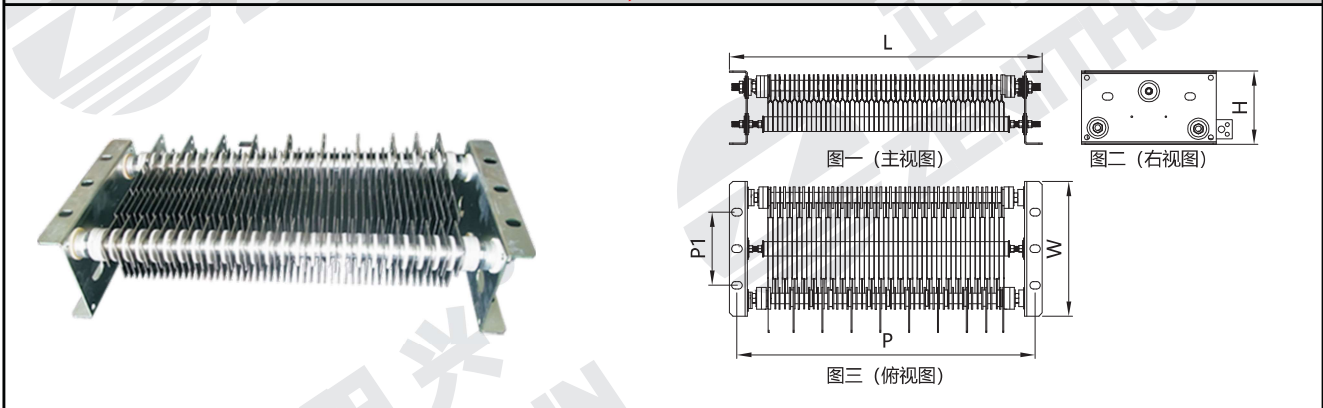
■ 适用范围 (Application)

深圳市正阳兴电子的系列不锈钢电阻生产周期为2-3周，广泛用于变频器、工控、伺服及高要求高恶劣环境。

Production Time : 2-3 weeks .

Widely used in inverter, industrial control, servo and harsh & high requirements environment.

■ 产品尺寸图表TYPE:BXG1 (Dimension Chart)

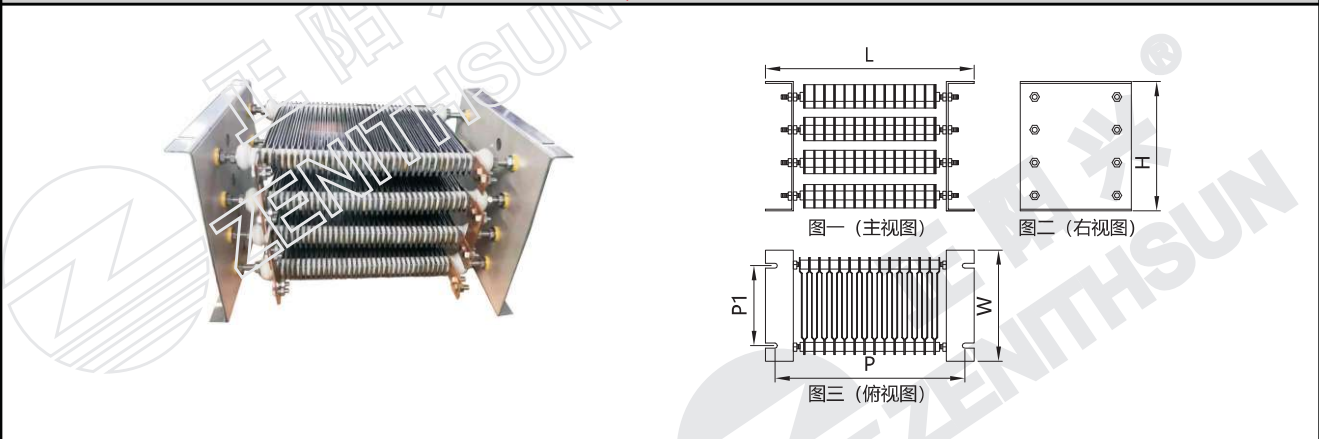


型号 Type	功率 Power	阻值范围 Resistance Range	精度 Tolerance	尺寸 Dimensions(mm)					额定电流 Rated Current	温度系数 T.C.R
				L±10	W±10	H±10	P±2	P1±2		
BXG1	1000W	0.01Ω-1.5Ω	K (± 10 %) J (± 5 %) G (± 2 %) F (± 1 %)	270	280	147	240	152	100A ~ 500A	±100PPM ~ ±1000PPM
	2000W			300	280	147	270	152		
	3000W			370	280	147	340	152		
	4000W			470	280	147	440	152		
	5000W			570	280	147	540	152		
	6000W			670	280	147	640	152		
	8000W			770	280	147	740	152		
	10000W			870	280	147	840	152		

备注 (Note):

1. 感量：低感。/Inductance :Low-inductive.
2. 绝缘电压：≥5KV(50HZ/60HZ)。/Insulation Voltage: ≥5KV(50HZ/60HZ).
3. 电阻极限工作温度:500°C。/Max working Temp.: 500°C.
4. 绝缘电阻值:≥10MΩ(1000V兆欧表测试) /Insulation Resistance Value :≥10MΩ(1000V).
5. 外观和尺寸可按客户要求设计。/Profile & Dimenison can be upon customers requests.

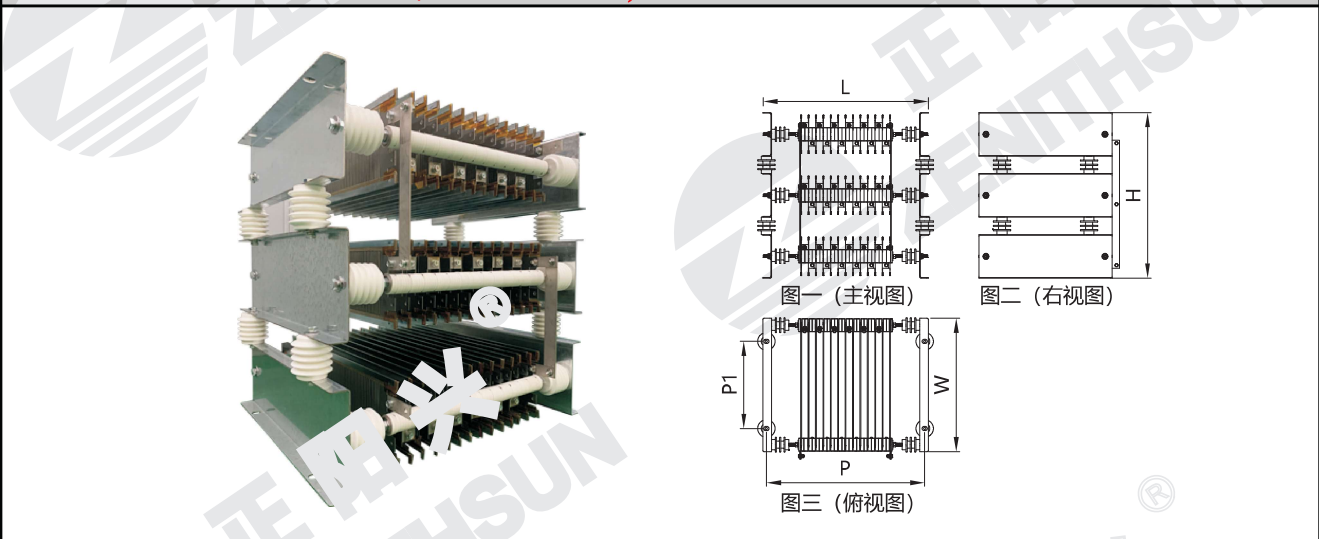
■ 产品尺寸图表TYPE:BXG2 (Dimension Chart)



型号 Type	功率 Power	阻值范围 Resistance Range	精度 Tolerance	尺寸 Dimensions(mm)					额定电流 Rated Current	温度系数 T.C.R
				L±10	W±10	H±10	P±2	P1±2		
BXG2	8KW-10KW	0.01Ω-3.3Ω	K (±10 %) J (±5 %) G (±2 %) F (±1 %)	600	350	450	570	350	100A ~ 500A	±100PPM ~ ±1000PPM
	15KW			650	350	450	620	350		
	20KW-25KW			700	350	450	670	350		
	30KW			750	350	450	720	350		
	40KW			800	350	450	770	350		

- 备注 (Note):
- 1.感量: 低感。
 - 2.绝缘电压: ≥5KV(50HZ/60HZ)。
 - 3.电阻极限工作温度:500°C。
 - 4.绝缘电阻值:≥10MΩ(1000V兆欧表测试)
 - 5.外观和尺寸可按客户要求设计。

■ 产品尺寸图表TYPE:BXG3 (Dimension Chart)



型号 Type	功率 Power	阻值范围 Resistance Range	精度 Tolerance	尺寸 Dimensions(mm)					额定电流 Rated Current	温度系数 T.C.R
				L±10	W±10	H±10	P±2	P1±2		
BXG3	1KW-3KW	4.7Ω-200Ω	K (±10 %) J (±5 %) G (±2 %) F (±1 %)	570	460	150	540	300	100A ~ 500A	±100PPM ~ ±1000PPM
	4KW			570	460	360	540	300		
	5KW-6KW			570	460	570	540	300		
	8KW			670	460	570	640	300		
	10KW			770	460	570	740	300		

- 备注 (Note):
- 1.感量: 低感。
 - 2.绝缘电压: ≥5KV(50HZ/60HZ)。
 - 3.电阻极限工作温度:500°C。
 - 4.绝缘电阻值:≥10MΩ(1000V兆欧表测试)
 - 5.外观和尺寸可按客户要求设计。