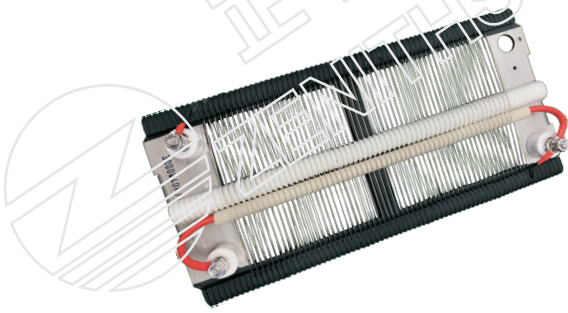


板形绕线电阻(Plate-shaped Wirewound Resistor)ZB300W-3KW

**大功率、小体积、散热快,可做多抽头和无感绕制,可多只组合放置于箱内**  
High Power, Small Size & Fast Heat Dissipation, multi-tap and non-inductive winding are available, Can be combined to be arranged in the load banks..



■ 产品介绍 (Introduction)

板形电阻阻值稳定,变化率小,功率高,过负荷能力强。它可以实现波纹式绕制方式(增大阻值及消除寄生电感)和无感绕制方式,既能消除电阻的寄生电感,又能提高电阻的散热性。还可以依客户要求灵活变动实现单个电阻制作成两个以上的阻值或多个电阻串并联组合。

Plate-shaped Wirewound Resistor with stable resistance, small change rate, high power, strong overload capacity. The corrugated winding mode (increasing resistance and eliminating parasitic inductance), and non-inductive winding mode can be realized, which can not only eliminate the parasitic inductance of the resistor, but also improve the heat dissipation. It can also be flexibly changed according to customer requirements to make a single resistor with more than 2 resistance values or multiple resistors in series and parallel.

■ 结构 (Structure)

1. ZB系列板形绕线电阻是用镍铬、康铜或新康铜合金丝及其他优质合金丝绕于经表面电镀处理的铁板、表面阳极处理的铝板平板上或云母板上,绕线丝与基体平板之间采用陶瓷器件隔开,使绕线丝均匀平整规则地驾于基体平板上空,起到很好的固定、绝缘和散热作用。

ZB series Plate-shaped Wirewound Resistor is made of nickel chromium, constantan or new constantan alloy wire and other high-quality alloy wires wound on the iron plate with surface electroplating treatment, aluminum plate with surface anodizing treatment or mica plate. Ceramic devices are used to separate the winding wire from the base plate, so that the winding wire can drive over the base plate evenly and regularly, playing a good role in fixation, insulation and heat dissipation.

2. 铝板或铁板基体没有固定的形式,可以任意随客户要求制作,打破了行业的局限性。

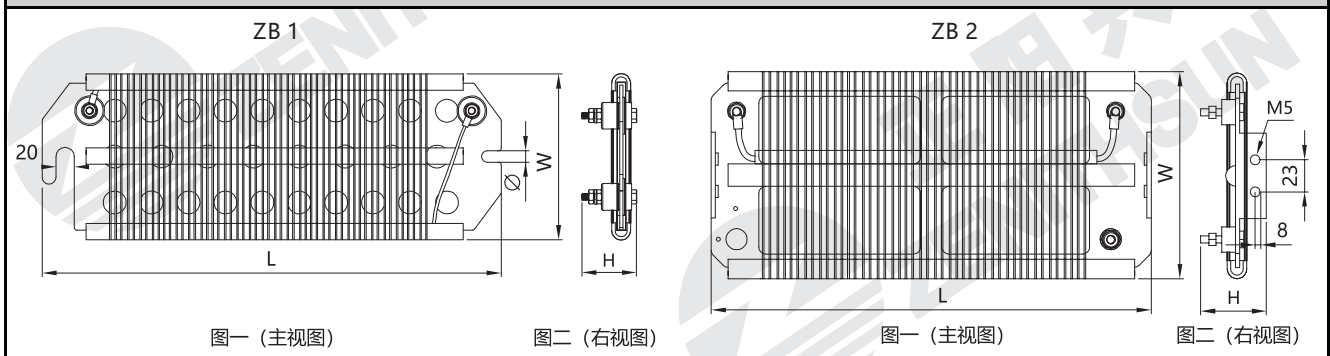
Aluminum plate or iron plate matrix has no fixed form and can be made according to customer requirements, breaking the limitations of the industry.

■ 适用范围 (Application)

深圳市正阳兴电子的系列板形电阻生产周期为2-3周,广泛用于低频交流电路中作电压、电流调节。并可作为电阻元件串联组成系列电阻器用于电动机、起动、制动与调速用途。

Production Time : 2-3 weeks, Widely used for voltage and current regulation in low-frequency AC circuits. Resistor elements in series are used for motor, starting, braking and speed regulation.

■ 产品尺寸图表ZB300W-3KW (Dimension Chart)



系列 Series	功率 Power	阻值范围 Resistance Range	精度 Tolerance	尺寸 Dimensions(mm)						净重(kg) N.W		温度系数 T.C.R
				类型(Type) ZB 1			类型(Type) ZB 2			ZB 1	ZB 2	
				L±5	W±5	H±5	L±5	W±5	H±5			
ZB	300W	0.1Ω-500Ω	K(±10%)	305	180	45	305	180	47	1.30	1.30	±200PPM ~ ±400PPM
ZB	500W	0.1Ω-500Ω		305	180	45	305	180	47	1.30	1.30	
ZB	700W	0.5Ω-500Ω	J(±5%)	305	180	45	305	180	47	1.30	1.30	
ZB	1000W	0.5Ω-500Ω	G(±2%)	305	180	45	305	180	47	1.30	1.30	
ZB	1500W	0.5Ω-500Ω		365	180	45	365	180	47	1.52	1.52	
ZB	2000W	0.5Ω-500Ω	F(±1%)	365	180	45	365	180	47	1.52	1.52	
ZB	2500W	0.5Ω-500Ω		450	180	45	450	180	47	1.90	1.92	
ZB	3000W	0.5Ω-500Ω		500	180	45	500	180	47	2.10	2.10	

备注 (Note) :

1. 可随客户要求板材材质 (铁板/铝板/云母板), 可以实现单个电阻2个以上的阻值或多个电阻串并联, 可以实现波纹式绕制或无感绕制方式, 满足您多元化的需要。

Plate materials including iron plate / aluminum plate / mica plate) are available as required by customers. Single resistor with more than 2 resistance values is available, or multiple resistors in series and parallel, corrugated or noninductive wirewound meet diversified needs.

2. 可依客户要求订制。

Other on requests are available.

■ 定货示例 (How to order)

ZB	1	1000W	20R	J
↓	↓	↓	↓	↓
系列 Series	类型 Type	功率 Power	标称阻值 Nominal value	精度 (K:±10%, J: ±5%, G±2%) Tolerance

■ 绕线电阻性能实验参数 (Performance Characteristics)		
项目 Test	试验条件 Conditions of Test	性能要求 Testing Results
电阻值容许误差 Resistance Tolerance	测试电压≤3V,环境温度25°C Testing Voltage ≤3V, Ambient Temperature 25°C	F--G--J--K
温度系数 T.C.R	$\frac{R1-R0}{R0(T1-T0)} \times 10^6 \text{ (PPM/}^\circ\text{C)}$ R0:常温(T0)下阻值 R0:Room Temperature(T0)Resistance R1:常温T0+100°C(T1)下阻值 R1:Room Temperature T0+100°C(T1)Resistance	±200PPM~ ±400PPM
额定负荷 Rated Load	40°C额定电压, 1小时 40°C, rated voltage, 1 hour	$\Delta R \leq \pm(3\%R + 0.1\Omega)$
短时间过负荷 Short Time Overload	5倍额定功率, 10秒钟; 10倍额定功率 5秒; 25倍额定功率 1秒 5 times rated power for 10s; 10 times rated power for 5s; 25 times rated power for 1s	$\Delta R \leq \pm(2\%R + 0.1\Omega)$
引出端对地绝缘耐压 Dielectric Withstand Voltage	1KV-10KV Vac 60秒,漏电流2.5mA 1KV-10KV Vac 60s, leakage current 2.5mA	$\Delta R \leq \pm(0.1\%R + 0.05\Omega)$
绝缘电阻值 Insulation Resistance	1000Vdc	50~1000MΩ, 1Min
引出端强度 Terminal Tensile Strength	40N	无脱落 No off
耐振性 Vibration resistance	1.5mm, 10-55-10Hz, 分别2小时 1.5mm, 10-55-10Hz, each 2hours	无破损, 无脱落 No damage, No off
室温耐久性 Load Life	额定电压, 通电90分钟, 停30分钟, 共500小时 At rated voltage, 90 min "On", 30 min "Off", total 500hours	$\Delta R \leq \pm(3\%R + 0.1\Omega)$
耐低温试验 Low Temp. Resistance	产品在-55°C±2°C环境条件下储存16H Store at -55°C±2°C for 16h	$\Delta R \leq \pm(1\%R + 0.1\Omega)$
耐高温试验 High Temp. Resistance	产品在70°C±2°C环境条件下储存16H Store at 70°C±2°C for 16h	$\Delta R \leq \pm(1\%R + 0.1\Omega)$
不燃性 Non-flammability	10倍额定功率, 通电5分钟 10 times rated power, power on for 5Min	允许开路, 但不燃烧 Without combustion

■ 绕线电阻降功耗曲线图 (Derating Curve)

